

## Specifications

Electrical Ratings	50mA @ 12VDC	Dielectric Strength	1000Vrms min
Electrical Life	100,000 cycles typical	Insulation Resistance	>100MΩ min
Contact Resistance	<50mΩ initial	Operating Temperature	-40°C to 85°C
Actuation Force	250 ± 50gF	Storage Temperature	-40°C to 85°C
Actuation Travel	0.3 ± .1mm		

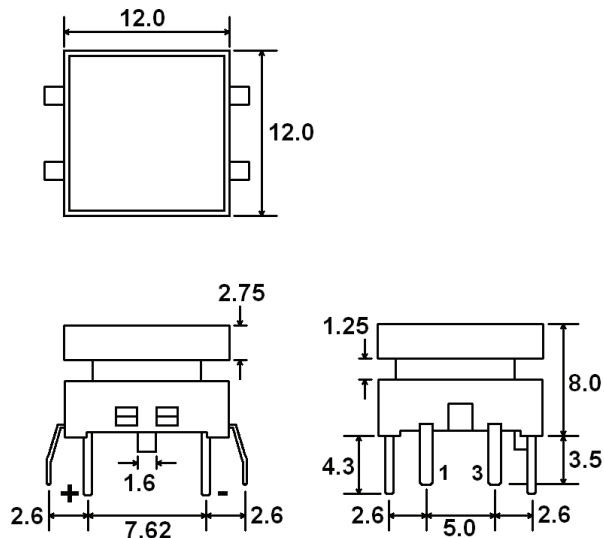
## Materials

Cover	Poly Carbonate (PC)
Housing	Nylon
Lens	Poly Carbonate (PC)
Contacts	Copper Alloy, Gold over Nickel Plated
Terminals	Copper Alloy, Gold over Nickel Plated

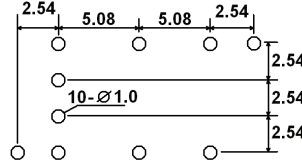
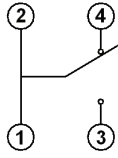
## Ordering Information

1. Series	JS	B	C
JS			
2. LED Color			
R = Red			
G = Green			
Y = Yellow			
B = Blue			
3. Clear Cap Style			
Blank = No Cap			
A, B, C, D, E, F or G			

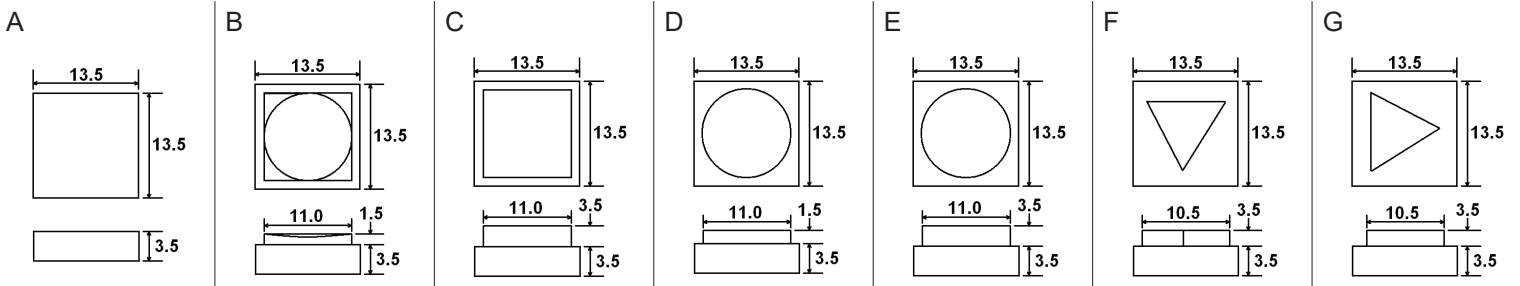
## Dimensions



## Schematic & PC Layout - Bottom Views



## Clear Cap Options



## LED Characteristics

LED Ratings		Color					Units
		R	G	Y	B	W	
Reverse Voltage	$V_R$	5	5	5	5	5	V
Forward Current (avg / peak)	$I_F$	30 / 125	30 / 125	30 / 125	30 / 125	30 / 125	mA
Reverse Current $V_R = 5V$	$I_R$	10	10	10	10	10	$\mu A$
Power Dissipation	$P_T$	69	75	75	120	120	mW
Forward Voltage (typ / max), $I_F = 20mA$	$V_F$	1.8 / 2.6	2.2 / 2.6	2.1 / 2.6	3.5 / 4.0	3.2 / 3.8	V
Wavelength at Peak Emmission, $I_F = 20mA$	$\lambda_P$	660	572	595	455	n/a	nm
Spectral Line Half-Width, $I_F = 20mA$	$\Delta\lambda$	20	20	20	20	n/a	nm
Luminous Intensity, $I_F = 20mA$	LI	20	20	80	40	200	mcd
Viewing Angle	$\Theta$	150	150	150	150	150	deg